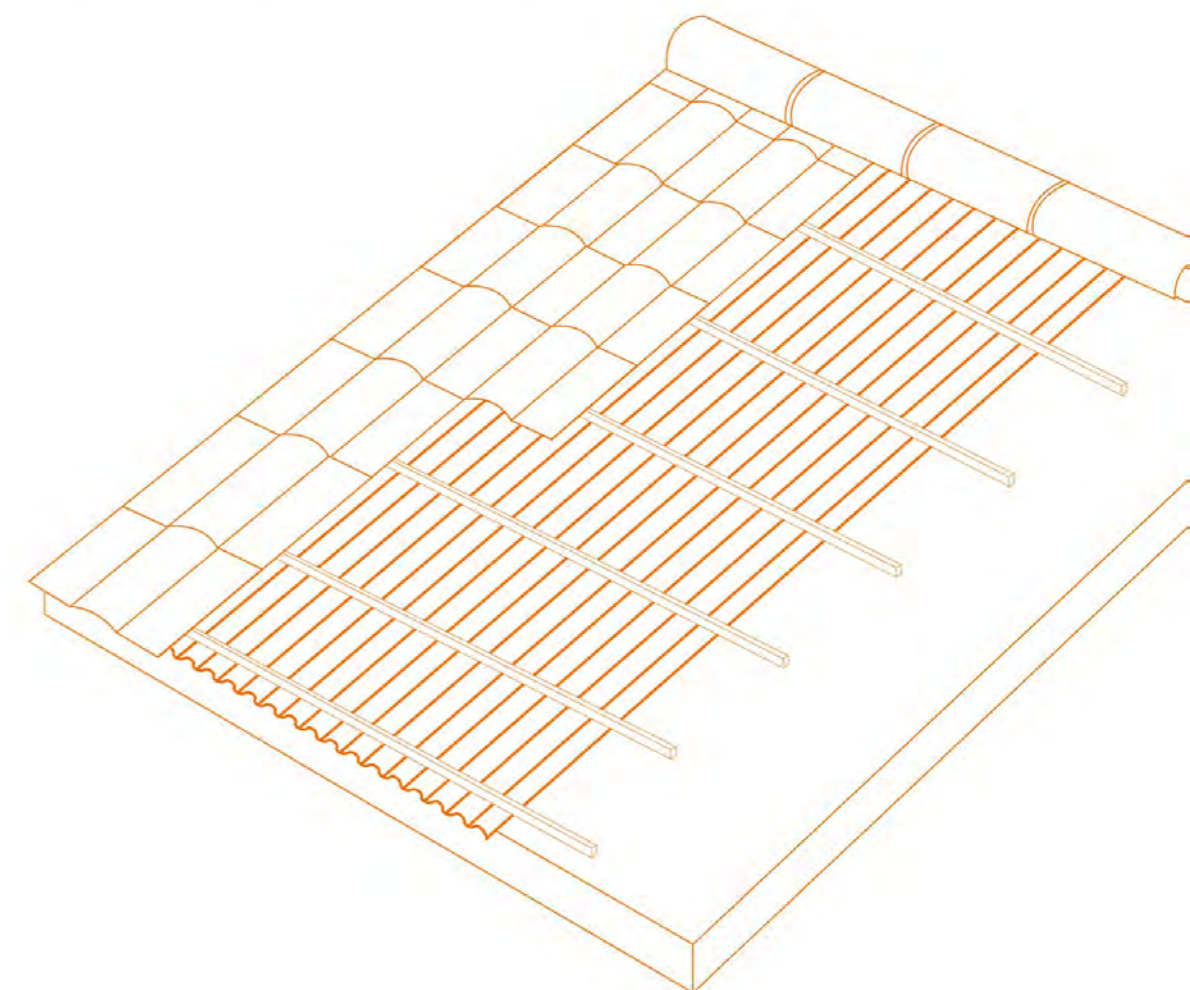




## UPVC WATERPROOFING PANEL

New Solution for Roof Waterproofing System



Shandong Fangxing Building Materials Co., Ltd.  
Tel. 0086 532 85039205  
Fax. 0086 532 85039203  
Email. [export@fangxing.com](mailto:export@fangxing.com)  
1668 Yuhai East Road, Laizhou 261400, Shandong, China  
[www.fangxingroofing.com](http://www.fangxingroofing.com)

SHANDONG FANGXING BUILDING MATERIALS CO., LTD.

## Company Info

Founded in 1987, Shandong Fangxing Building Materials Co., Ltd. is a professional roof tile and waterproofing materials manufacturer in China, supplying dedicated roofing products to clients. During the past 25 years, Fangxing focus on R&D of roofing technique and advanced equipments, and produce roof tiles with state of the art. By now, Fangxing roofing materials are popular in over 20 provinces nationwide and 20 countries worldwide. As a professional roof tile manufacturer, Fangxing provide your roof with a superior solution of waterproofing system.



## Product Info

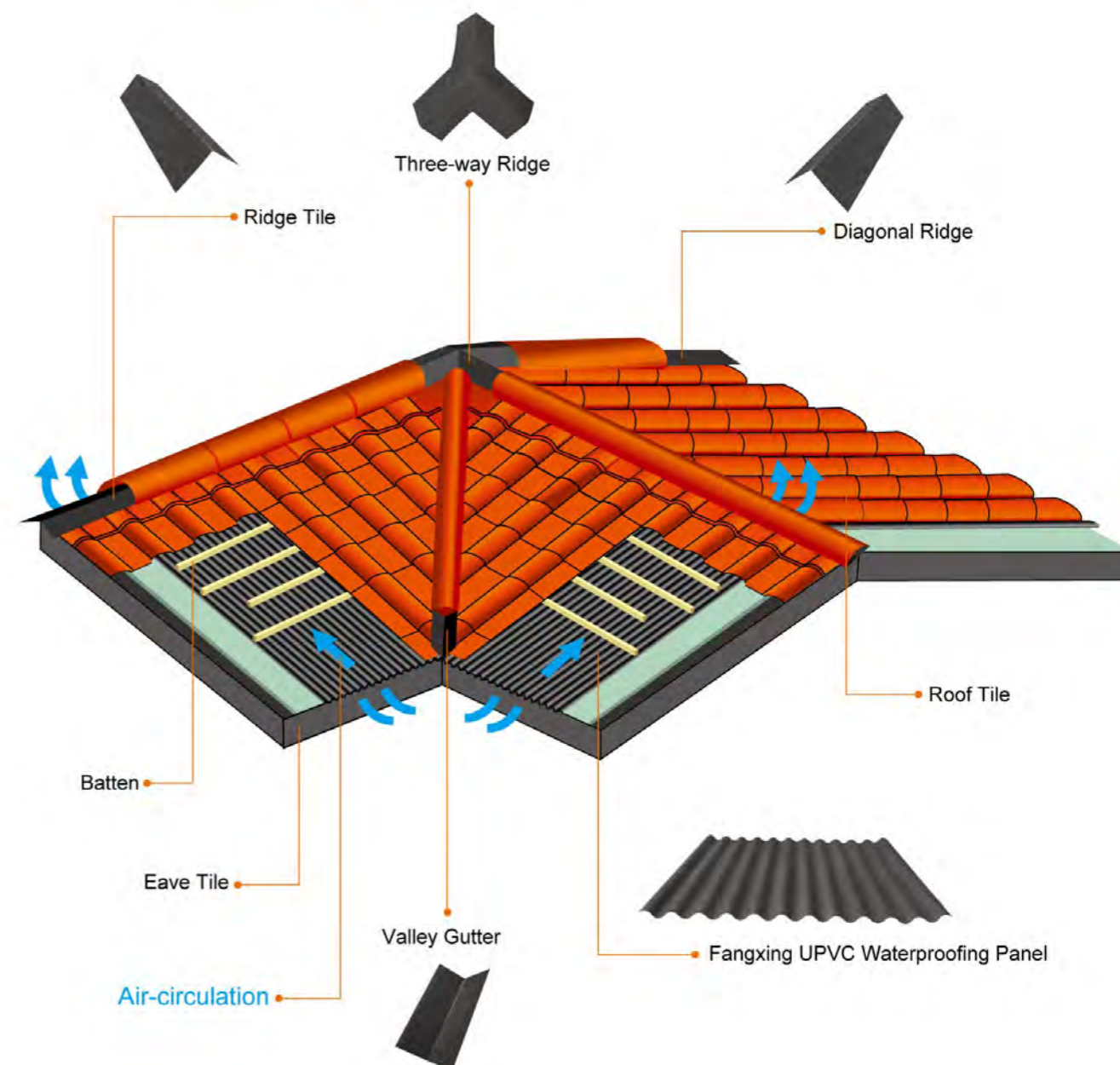
Fangxing UPVC waterproofing panel is a new type of roofing material, providing superior air-circulation and ventilation. It substitutes waterproof layer, concrete layer and counterbatten of pitched roof, so that project time limit is shortened and the total cost is lower.

Fangxing waterproofing panel is applicable to roof covered by ceramic tile, concrete tile, metal sheet and UPVC sheet. It contributes to an improvement on the whole roof system, as well as extending its life.



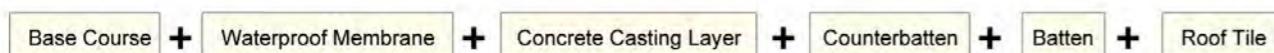
Width: 730mm  
Thickness: 1.8mm  
Length: customized  
Profile Height: 18mm  
Profile Distance: 77mm  
Weight: 2.5kg/m<sup>2</sup>  
Color: black/brown  
Finish: Matt

## Diagrammatic Drawing for UPVC Waterproofing Roof System



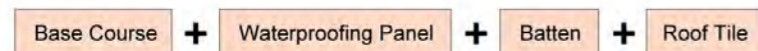
## Comparison With Traditional Waterproofing Materials

### Traditional Waterproofing System



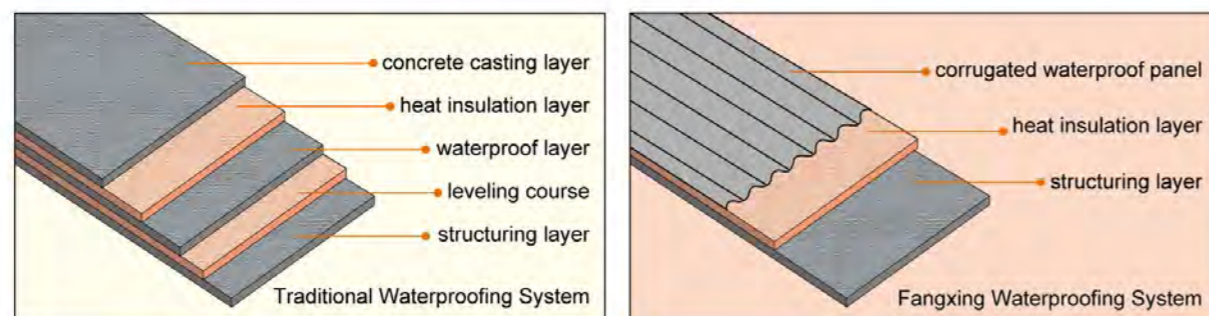
### Fangxing Waterproofing System

Install Fangxing corrugated waterproofing panel on basecourse directly. The panel replaces waterproofing membrane, concrete casting layer and counterbatten.



### Stronger Air Circulation Lower Humidity

Fangxing UPVC waterproofing panel leaves more space underneath, which boost wind ventilation to lower humidity and heat insulation.



### Lower Cost & Shorter Project Time

Detail	Traditional Solution	Fangxing Waterproofing System
Total Cost	High	20% Saving
Structuring Level	Complex	3 Layers or Less
Difficulty	Difficult	Easy
Durability	Short	Long (great air circulation)
Indoor Environment Improvement	No	Lower Indoor Temperature

## Feature



## Application

Fangxing UPVC waterproofing panel is widely used on residential building, commercial building, prefab house, warehouse and other re-roof projects.



## Installation Guide

### Step 1. Smooth Base Course

Fangxing Upvc waterproofing panel is installed on smooth roof, where error range of the leveling from hip to eave is between -5mm to 5mm.

### Step 2. Heat Insulation Materilas Laying

Install heat insulation materials according to the guideline from the supplier.(Figure 1)

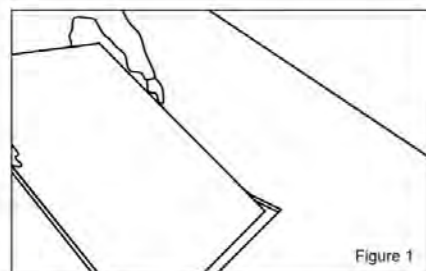


Figure 1

### Step 3. Install Waterproofing Panel

Starting from one side of the slope, overlap each panel tightly. A panel should be overlapped one and a half waves upon the previous one. If the panel needs overlap vertically, it should be overlapped by 100mm. Meanwhile avoid a crossover of four sheets on the overlap.(Figure 2)

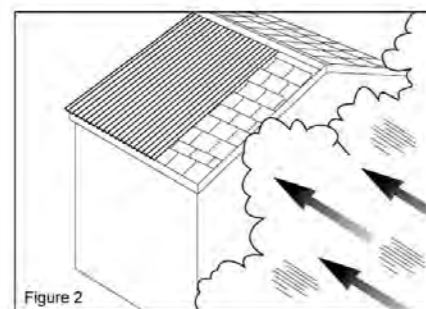


Figure 2

### Step 4. Install Ridge, Diagonal Ridge & Three-way Ridge

The overlap of ridge and diagonal ridge is 5mm. Overlap the sides of three-way ridge on the conjunction of ridge and diagonal ridge, and fix with expansive screws.(Figure 3 Figure4)

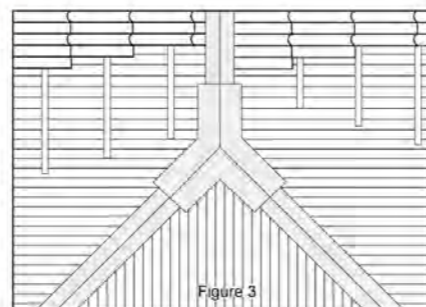


Figure 3

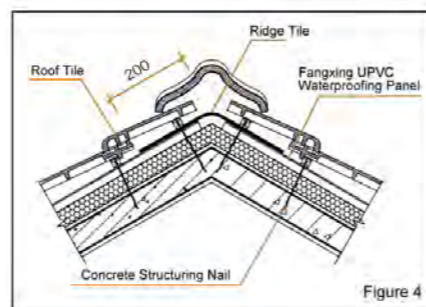


Figure 4

### Step 5. Valley & Eave

Fix valley gutter(400mmx1000mm) before installing waterproof panel.(Figure 5)

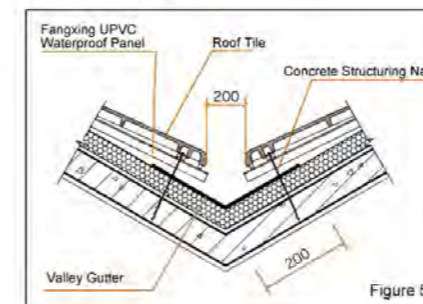


Figure 5

Eave tile: In order to drain off water effectively and to protect the eave, we recommend use synthetic resin or metal eave tile. Bend the eave tile to cover the eave and insert 100mm into the roof under the waterproof panel.(Figure 6)

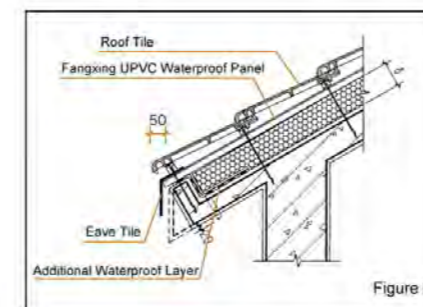


Figure 6

### Step 7. Inspection

After installation, inspect all the roof, if there's any imprecise installation, use silicon sealant to seal.

### Cautions

**Overlap.** Overlap one and a half waves on each panel, with 615mm effective width.

**Fixing.** Use expansive screw to fix the panel. Drill the screw into structuring layer with depth of at least 40mm through batten, waterproofing panel and insulation board. Drill screw vertically into roof. The expansive bolt should be nailed on the peak of waterproof panel wave. If the hole is drilled in wrong position, seal the hole with adhesive membranes and then drill again on the correct place.

**Use impact drill to drill holes and toothless saw to cut.**

**Note:** The conjunctions can also be sealed by adhesive membranes.

### Step 6. Flashings

Use synthetic resin flashing board (400mmx1000mm) to conjunct roof tile to the water tank, chimney, skylight, etc.(Figure 7)

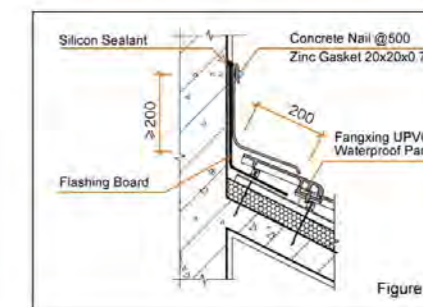


Figure 7

### Step 8. Install Batten and Roof Tile

The batten and roof tile are installed on waterproof panel. Batten space depends on the type of roof tile.(Figure 8)

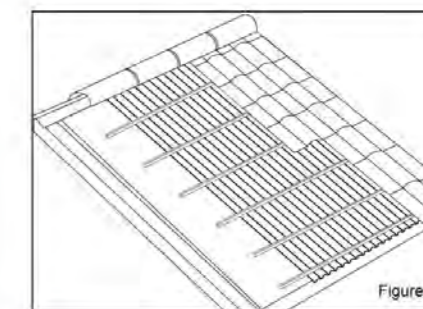


Figure 8